

# Modular deck oven Soleo



## Deck oven Electric

### Capacity

- Baking area : from 0,5 to 6,8 m<sup>2</sup>
- Useful height on each deck : 180 or 240 mm
- Number of decks : From 1 to 4

### Characteristics

- Configurable oven depending on user's needs
- Oven on castors for easy moving and set on feet, proofer or cabinets (depends on models)
- Stands designed to receive a BFA or BFE unit
  - BFA unit : internal evaporator and proofing system, external freezing system
  - BFE unit : proofing same as BFA unit
- Electrical deck with independent regulation deck / roof (vault)
- Very efficient independent steam generator at the back of each deck (optional)
- Steam vent on each deck
- Opticom control on each deck
- Optional hood with exhaust fan
- Oven supply disassembled

### Note :

The BFE is directly issue from the BFA system.  
The control system allows the automatic proofing management, with a precise setting of humidity, temperature and timer.

### Construction

- Electrical resistances armoured with stainless steel 3 years warranty
- Fireproof cement baking plates 20 mm thick
- Oven front in polished stainless steel
- Tempered glass to reduce heat losses
- Halogen lightning
- Performant insulation by crossed rock wool panels.
- Electrical beam by means of silicon cables high temperature

Reference	Oven
74300001	M2 Soleo
74400001	M4 Soleo
74600001	M6 Soleo
74700001	M3 Soleo

### Options

Electromechanical control

Steam generator

### Accessories

Ornamental hood without lightning

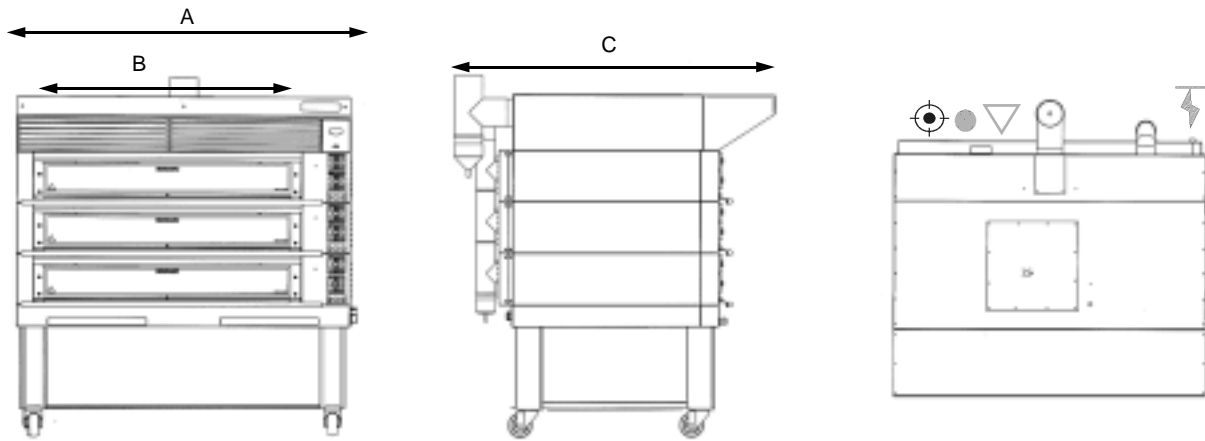
Hood with exhaust fan and lightning

Stand

Cabinets

Proofer

## Modular deck oven Soleo



### General characteristics

Baking deck 180	
Deck height	280 mm
Chamber height	180 mm
Useful height	168 mm
Baking deck 240	
Deck height	340 mm
Chamber height	240 mm
Useful height (door clearance)	228 mm
height from base of baking module to top of hearthplate	41 mm
Cabinets (from 0 to 40 °C) or BFA (from -6 to +35 °C)	
Height with castors	1000 mm
Useful height	460 mm
Height of insulates standard head band (standard)	120 mm
Height of hood or Bongard insulated head band (optional)	300 mm

Layout and assembling must be conform with regulations.  
The drawings don't exempt a verification of the fume exhaust dimensions.

- Electrical connection from top , Connection at back right hand side (≈ 700 mm). P = see technical data sheet, 3PH + N + T(P/E), 50 Hz
- Caution cold water connection from top (Option steam generator) Ø 1/2" – 12/14 mm brass, Pressure : 2.5 – 4 b
- Steam generator drain made of galvanized pipe, h = 700 mm, Ø 3/4" (Option steam generator)
- Steam exhaust Ø 100 mm.  
Option hood with exhaust fan, Ø 200  
Steam exhaust fan included 450 to 800 m3/h

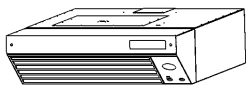
### Characteristics of the different models

Models	M2	M4	M6	M3	
Oven width (A)	980 mm	1730 mm	1610 mm	1815 mm	
Useful width (B)	620 mm	1370 mm	1250 mm	1455 mm	
Depth with steam (C)	1252 mm	1377 mm	1757 mm	1252 mm	
Depth (D)	845 mm	965 mm	1350 mm	845 mm	
Floor area (with or without steam)	1,23 m <sup>2</sup>	2,38 m <sup>2</sup>	2,83 m <sup>2</sup>	2,27 m <sup>2</sup>	
Heating power	Baking deck 240 mm	6,02 kW	14,60 kW	14,98 kW	13,48 kW
	Baking deck 180 mm	6,02 kW	14,60 kW	14,98 kW	13,48 kW
	Cabinet	0,94 kW	1,88 kW	1,88 kW	1,88 kW
	Steam generator	1,00 kW	2,00 kW	2,00 kW	2,00 kW
Electric power per deck (without steam), full power for top and bottom head		6,06 kW	14,64 kW	15,02 kW	13,52 kW
Electric power per deck (with steam), full power for top and bottom head		7,06 kW	16,64 kW	17,02 kW	15,52 kW
Electric power per deck (without steam), alternated power for top and bottom head		3,18 kW	7,34 kW	7,53 kW	6,78 kW
Electric power per deck (with steam), alternated power for top and bottom head		4,18 kW	9,34 kW	9,53 kW	8,78 kW
Electrical supply	230/400V Tri N+T	230/400V Tri N+T	230/400V Tri N+T	230/400V Tri N+T	
	400 x 600	2	4	6	4
Baking capacity/deck	460 x 660	1	4	4	3
	460 x 760	1	2	2	3
	580 x 780	1	2	2	2
	GN 530 x 650	1	2	4	2
Baking area / deck	0,52 m <sup>2</sup>	1,32 m <sup>2</sup>	1,69 m <sup>2</sup>	1,23 m <sup>2</sup>	

# Accessories for Modular deck Oven

## Hood

Hood with exhaust fan and lightning,



Model	M2	M3	M4	M6
Electronic model	74303151	74703151	74403151	74603151
Electromechanical model	74303251	74703251	74403251	74603251
Width	980 mm	1816 mm	1730 mm	1610 mm
Height	300 mm	300 mm	300 mm	300 mm
Depth	1430 mm	1430 mm	1550 mm	2000 mm
Electric power	155 kW	155 kW	155 kW	155 kW

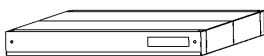
Ornamental hood with lightning



Model	M2	M3	M4	M6
Reference	74303051	74703051	74403051	74603051
Width	980 mm	1816 mm	1730 mm	1610 mm
Height	300 mm	300 mm	300 mm	300 mm
Depth	1430 mm	1430 mm	1550 mm	2000 mm
Electric power	35 kW	35 kW	35 kW	35 kW

## Head band

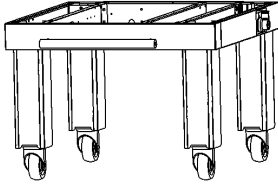
Ornamental head band



Model	M2	M3	M4	M6
Reference	74303701	74703701	74403701	74603701
Width	980 mm	1816 mm	1730 mm	1610 mm
Height	100 mm	100 mm	100 mm	100 mm
Depth	1200 mm	1200 mm	1605 mm	1705 mm

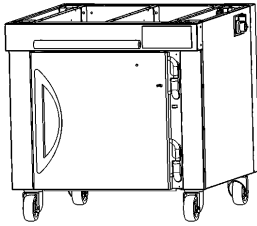
# Accessories for Modular deck Oven

## Stands



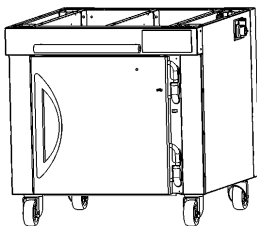
Model	M2	M3	M4	M6
<b>Height</b>				
540 mm	74300611	74700611	74400611	74600611
660 mm	74300621	74700621	74400621	74600621
720 mm	74300631	74700631	74400631	74600631
780 mm	74300641	74700641	74400641	74600641
880 mm	74300661	74700661	74400661	74600661
940 mm	74300671	74700671	74400671	74600671
1000 mm	74300681	74700681	74400681	74600681
1060 mm	74300691	74700691	74400691	74600691
<b>Width</b>	980 mm	1816 mm	1730 mm	1610 mm
<b>Depth</b>	1150 mm	1150 mm	1250 mm	1650 mm

## Cabinets



Model	M2	M3	M4	M6
<b>Reference</b>	74300551	74700551	74400551	74600551
<b>Dimensions</b>				
Width	980 mm	1816 mm	1730 mm	1610 mm
Height	1000 mm	1000 mm	1000 mm	1000 mm
Depth	1120 mm	1120 mm	1240 mm	1620 mm
<b>Cabinet capacity (spacing = 65 mm)</b>				
400 x 600	14	-	28	28
460 x 660	7	19	14	14
<b>Number of door</b>	1	2	2	2
<b>Electric power</b>	775 kW	1250 kW	1250 kW	1250 kW
<b>Temperature</b>	0°C - +40°C	0°C - +40°C	0°C - +40°C	0°C - +40°C

## BFA



Model	M2	M3	M4	M6
<b>Reference</b>	74300561	74700561	74400561	74600561
<b>Dimensions</b>				
Width	980 mm	1816 mm	1730 mm	1610 mm
Height	1000 mm	1000 mm	1000 mm	1000 mm
Depth	1480 mm	1400 mm	1680 mm	1620 mm
<b>Proofer capacity (spacing = 65 mm)</b>				
400 x 600	14	-	28	28
460 x 660	7	19	14	14
<b>Number of door</b>	1	2	2	2
<b>Electric power</b>	775 kW	1250 kW	1250 kW	1250 kW
<b>Maximum temperature</b>	-6°C - +40°C	-6°C - +40°C	-6°C - +40°C	-6°C - +40°C