

Easy 500 500B 500EX 600



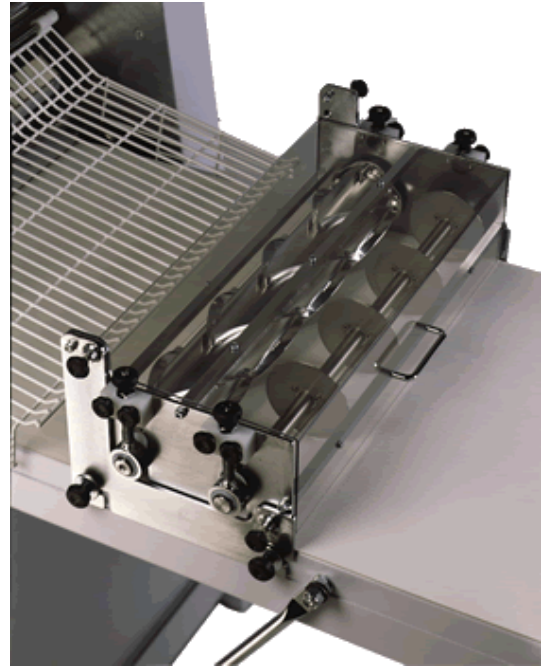
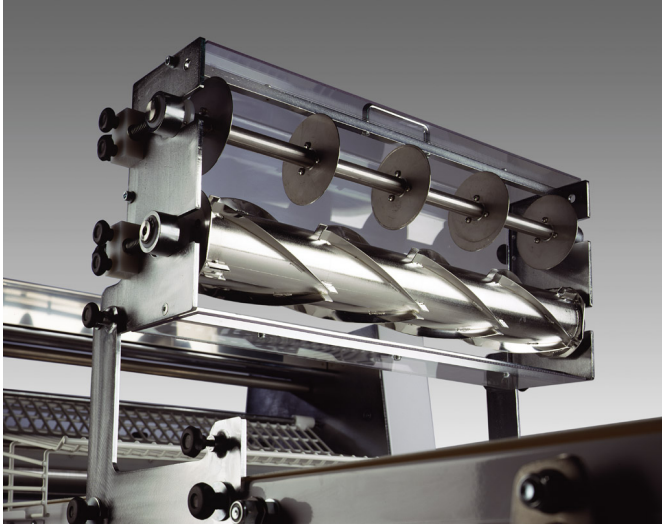
Easy 500 B



Easy 500 - 500EX - 600

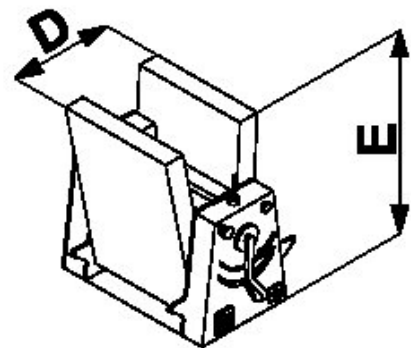
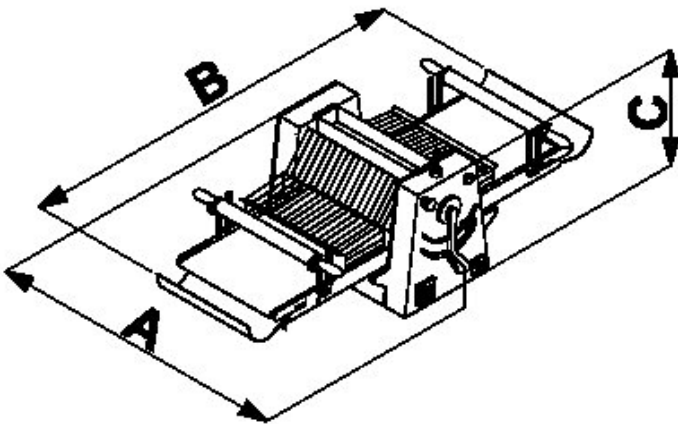
This machine has been studied and realized with modern ideas of rationality. It can work every type of dough, even very thin thickness. The rolling cylinders are chromium-plated with hard chrome, grown and polished. The scrapers can easily be taken down. The conveyor belts have a changeable speed. The working planes can be raised, so they can contain the embraces, when the machine is resting. The electric system in low-tension. The guards are of accident-kind. The machine is also provided with wheels. Upon request, the machine can be supplied with the croissant-cutter system; in this case the electric motor will have 2 speeds, the first of one reduced in comparison with the standard configuration. In order to ulteriorly vary the speeds of the tapes conveyors the model with inverter (VAR), such model is available also in monophasic.

TCE



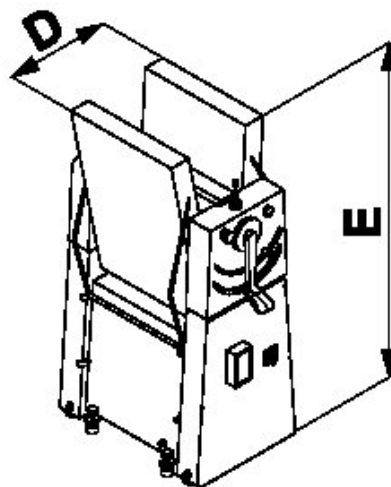
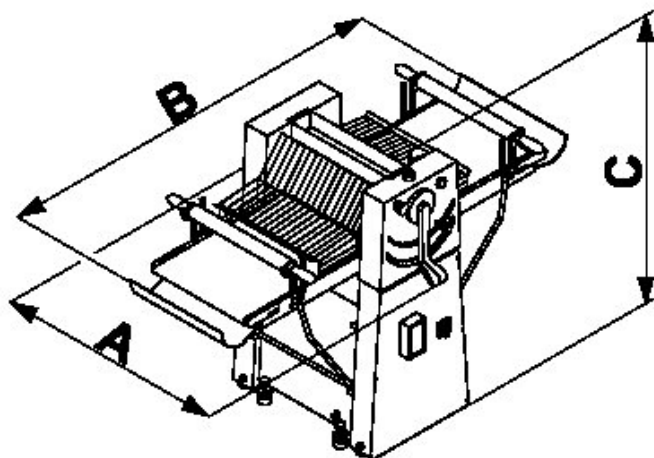
Cutting system available for only 600 model, with 1300 and 1500 mm level. Standard cut triangular form (130 mm width, 140 mm high). Other forms and dimensions on demand.

Dimensions



Easy 500 B	800	1000
A mm	980	980
B mm	1980	2380
C mm	540	540

D mm	570	610
E mm	925	1125
WEIGHT Kg	130	140
Engine	1 V = KW 0,55 2V= KW 0,37/0,55	



	EASY 500		EASY 500 EX		EASY 600		
	800	1000	800	1000	1000	1300	1500
A mm	890	890	945	945	1020	1020	1020
B mm	1980	2380	1980	2380	2380	3050	3380
C mm	1265	1265	1290	1290	1290	1290	1290
D mm	570	610	700	770	790	920	1040
E mm	1650	1850	1620	1820	1810	2150	2315
PESO Kg	170	180	175	185	225	240	250
Motore	1V = KW 0,75 2V= KW 0,6/1,1 VAR= HP 1						